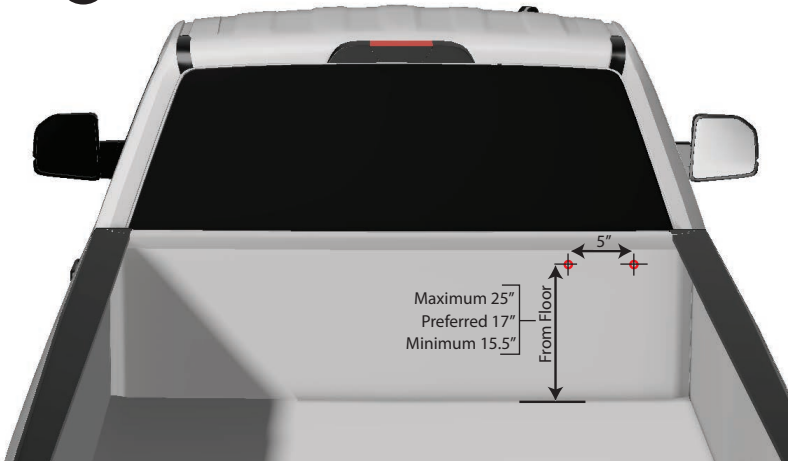




# RIDE88 SINGLE MOUNT INSTALLATION

For Bicycle Use Only

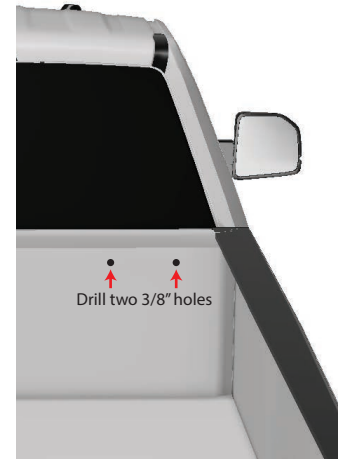
## 1 Measure and mark hole position



## 2 Drill 3/8" holes

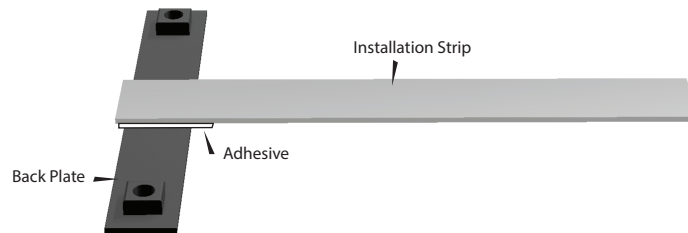


DRILLING REQUIRED.  
We suggest using a  
step drill bit:

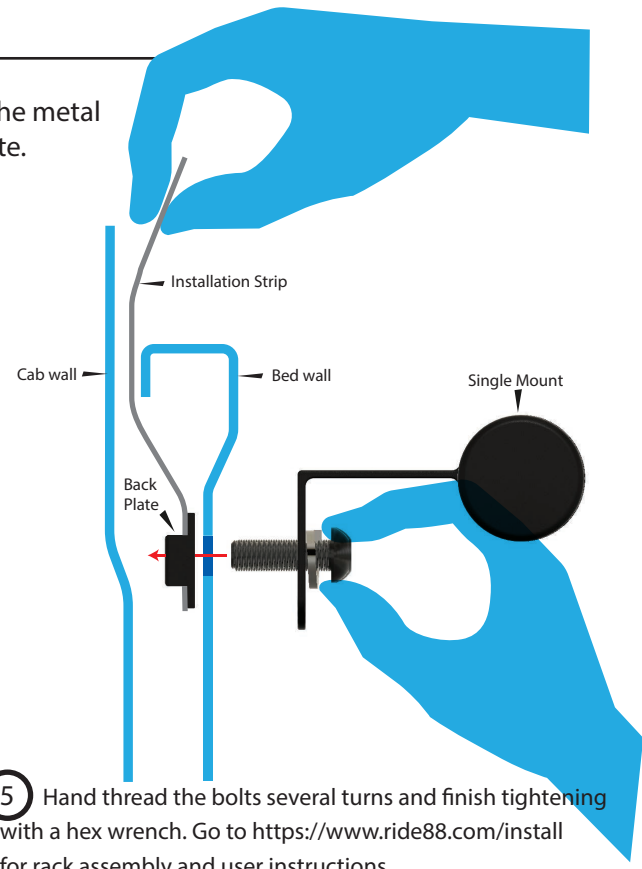
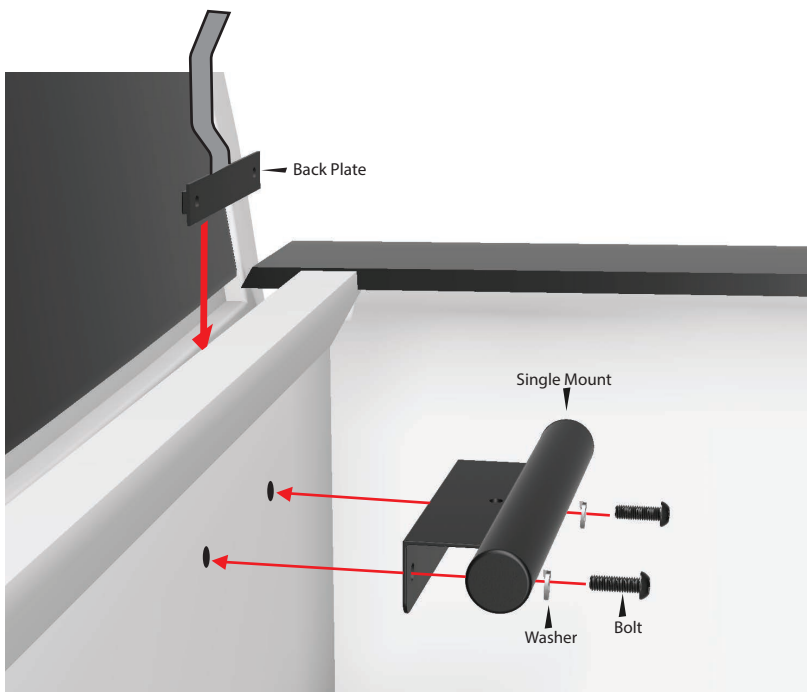


## 3 Attach Installation Stick

Press the adhesive section  
on the Installation Stick to  
the back plate as shown  
here.



## 4 Bend the Installation Stick so it can reach behind the bed wall. The metal strip will function as a temporary handle to position the Back Plate.



## 5 Hand thread the bolts several turns and finish tightening with a hex wrench. Go to <https://www.ride88.com/install> for rack assembly and user instructions.