



U-TRACK INSTALLATION GUIDE

U-track is intended for attaching RIDE88 bike racks.



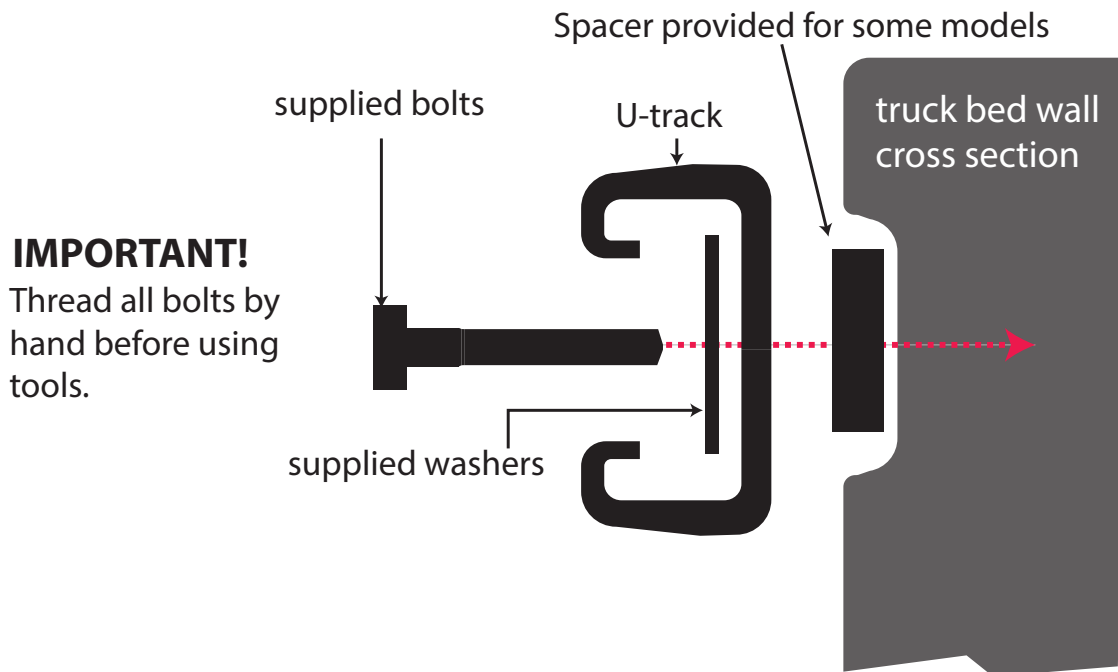
U-Track Installation (most trucks)

IMPORTANT:

CAREFULLY align and hand thread all bolts. DO NOT use power tools to start threading. Be sure not to cross thread any bolts or force them if they are not threading smoothly. Use your hand to thread in the bolts gently until almost fully seated. Next use a 10mm socket (no socket wrench) and hand thread the bolts all the way in. Once fully threaded in you can tighten the bolts down using a socket wrench. DO NOT OVER TIGHTEN. If you feel the thread is not turning easily or suddenly gets tight during hand threading, back out the bolt to avoid getting it stuck. Check for any damage to threads and clear any dirt etc. Never force the bolt in if it starts to bind. Contact INFO@RIDE88.COM for a replacement bolt if necessary.

ASSEMBLE IN THE ORDER BELOW

(Profile View)



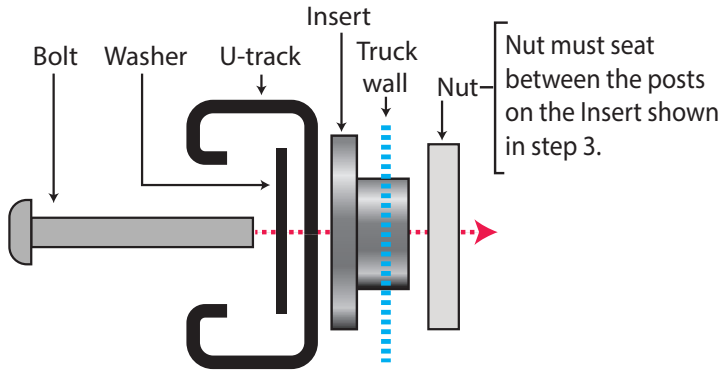
IMPORTANT!

Thread all bolts by hand before using tools.



U-Track Installation CHEVY & GMC

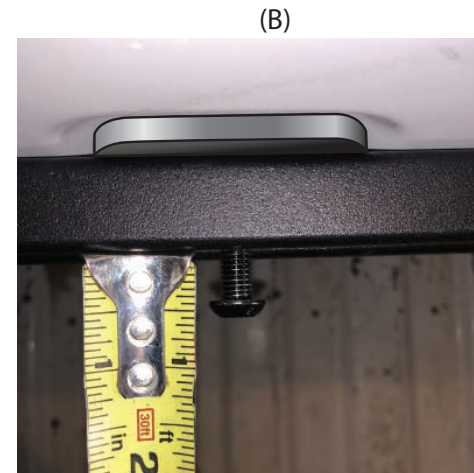
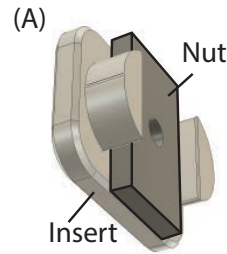
1) The bolt goes through the parts in the order below.



2) Thread the nut 3-4 turns and leave loose. Insert the nuts through all 3 holes in the truck bed. It is helpful to have a second person to hold one end of the track as you work your way to the second and third holes.



3) The nut must be seated between the two posts on the insert, see image (A). You can not see behind the bed wall at this point. You can tell when the nut aligns in position by observing the bolt. The bolt should extend about 1/2 inch away from the U-track as shown in image (B). Gently finger tighten while slightly pulling the bolt away from the track. Pulling keeps the nut seated in position.



4) Tighten all bolts down. The U-track should be firmly attached to the bed wall when correctly assembled. Bolts can settle or loosen over time so check tension once in a while.

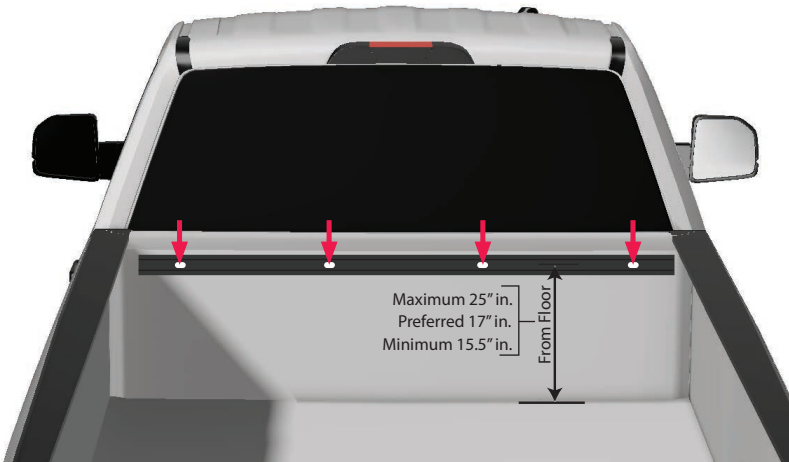




RIDE88 U-TRACK / DRILLING INSTALLATION

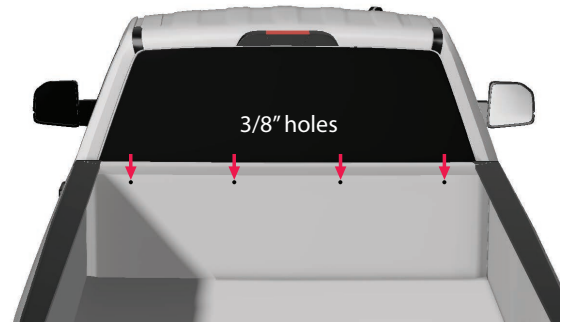
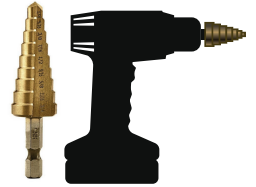
U-track is intended for attaching RIDE88 bike racks.

- ① Align U-track as shown below. Without moving the track, mark hole positions on center of each hole.



- ② Drill 3/8" holes centered on each mark

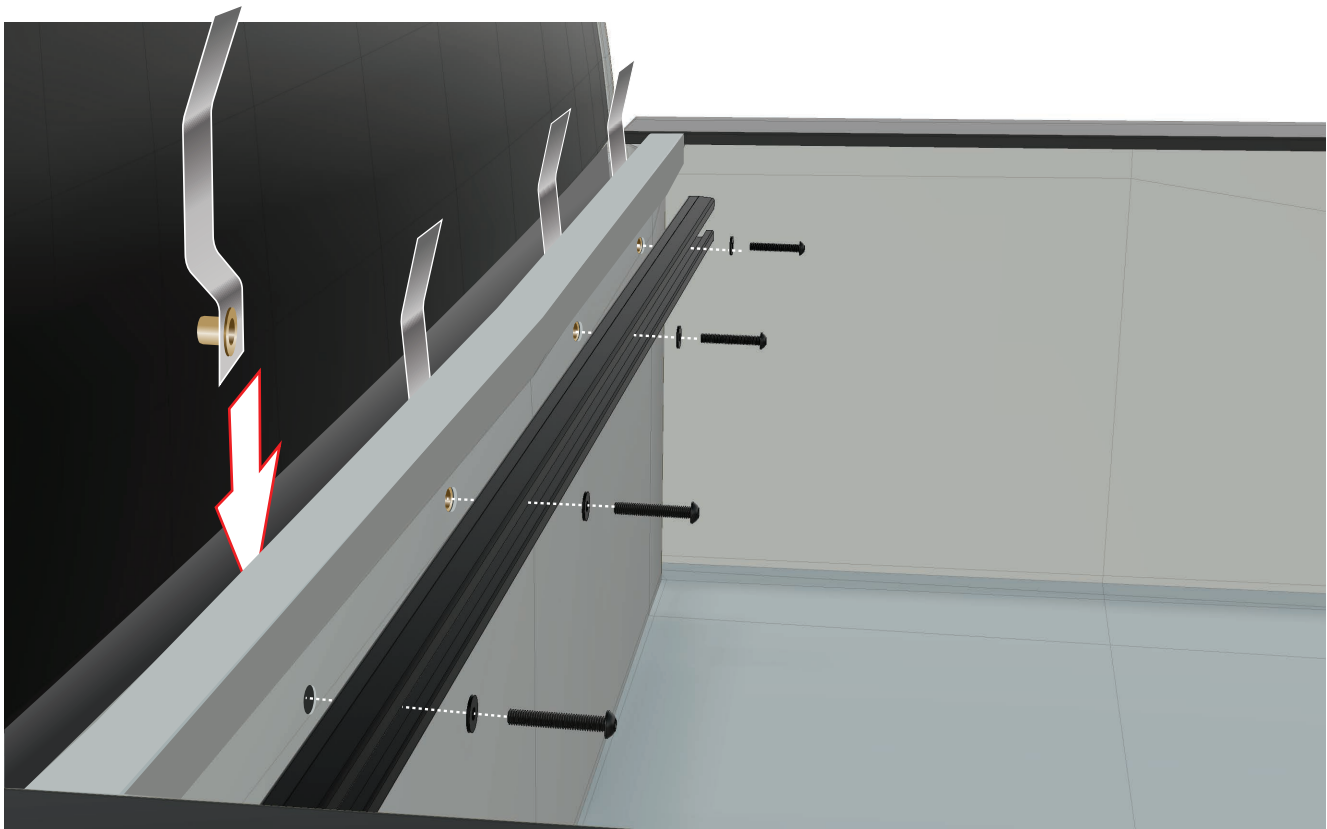
A step drill bit is suggested. These are commonly available at hardware stores.



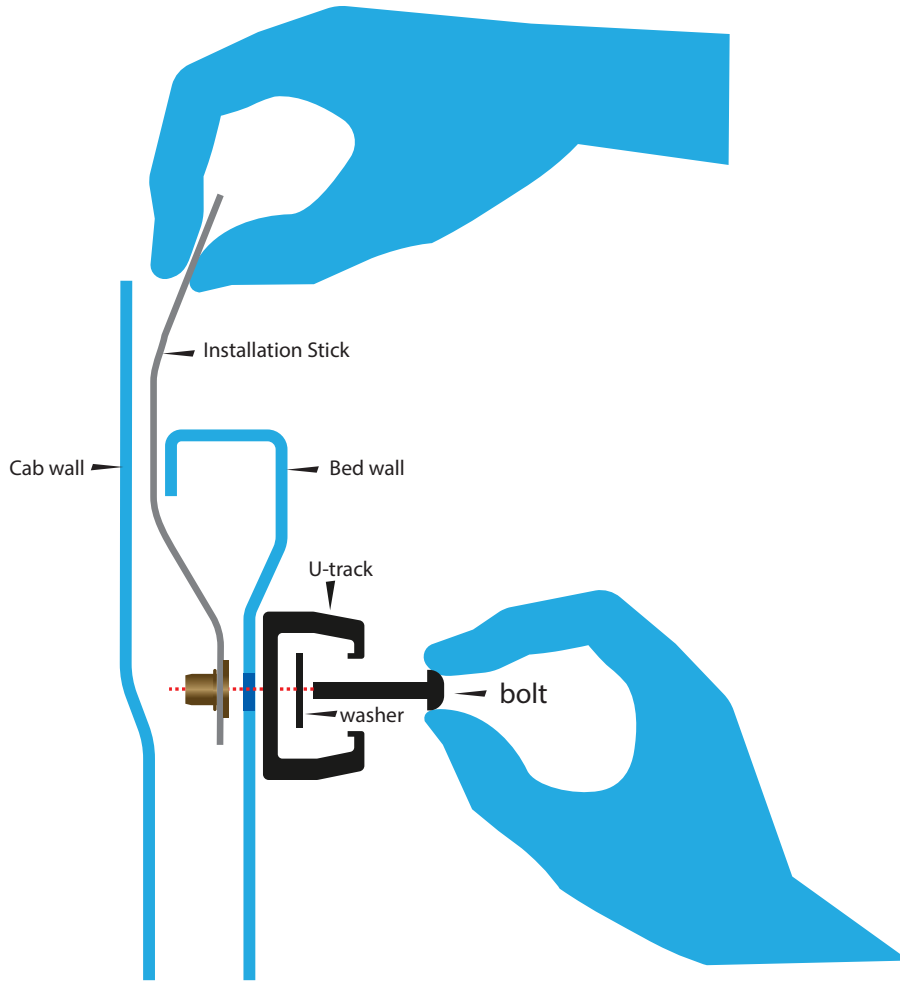
- ③ The Installation Sticks have a riv-nut on one end. Prepare the Installation Sticks as shown in step 4



- ④ Bend the Installation Sticks so they can reach behind the bed wall. The metal strips function as a handle to position and align the riv-nut flush to the holes behind the bed wall.



- 5 Hand thread all bolts several turns to engage threads and prevent cross threading. The bolt should rotate smoothly when properly aligned. Finish tightening with a hex wrench. The Installation sticks will remain attached permanently. While the bolts start to become tight, rotate the Installation Sticks behind the bed wall to hide them. Finish tightening the bolts.



Rotate Installation Sticks out of sight behind the bed wall and finish tightening bolts.

