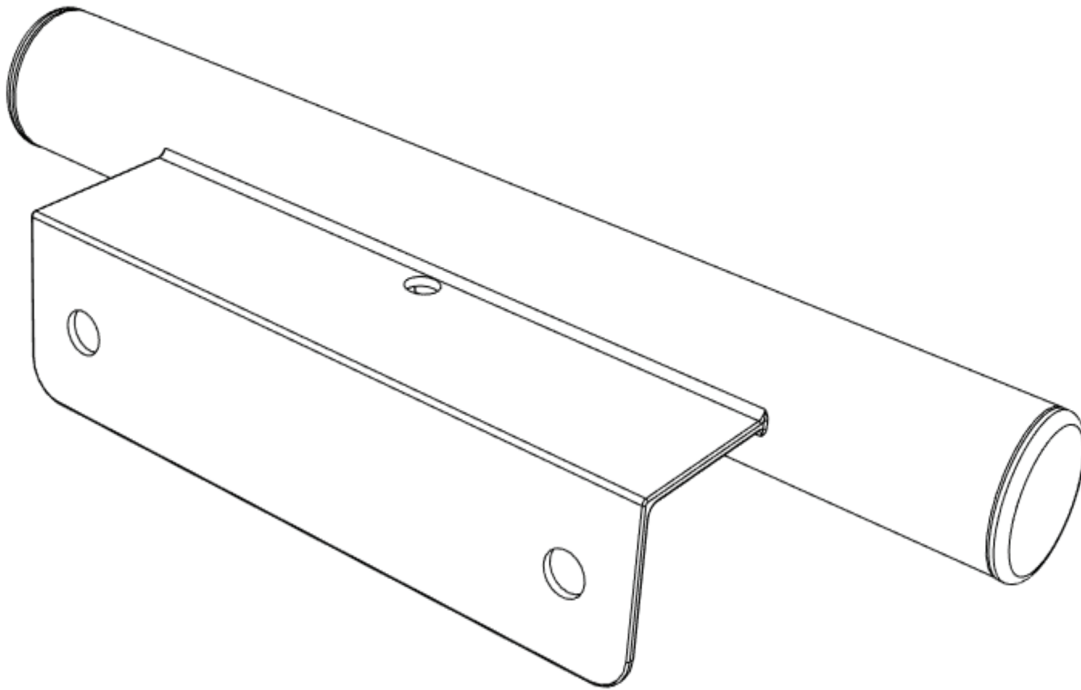


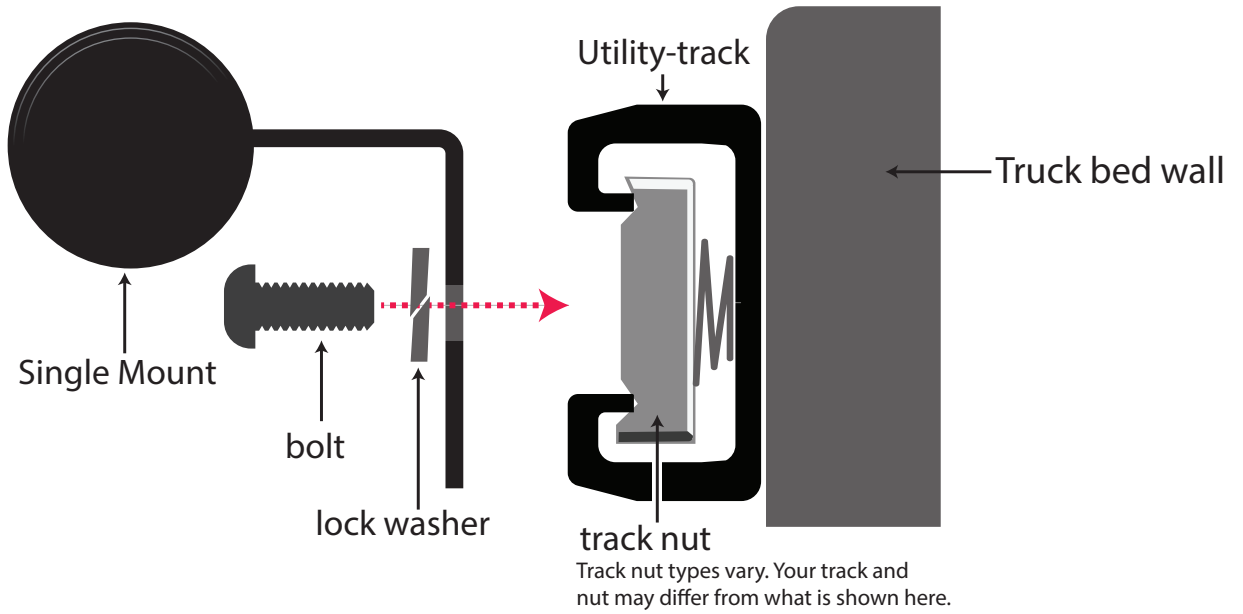


# RIDE88 SINGLE MOUNT INSTALLATION



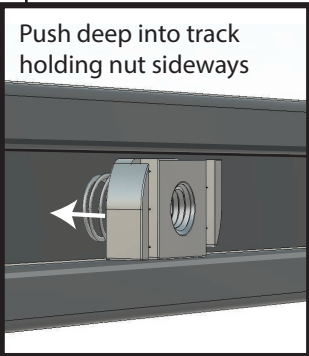
# Single Mount onto utility track order of assembly

(side view)

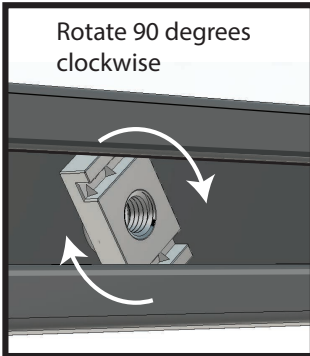


Shown with RIDE88 U-track & nuts.

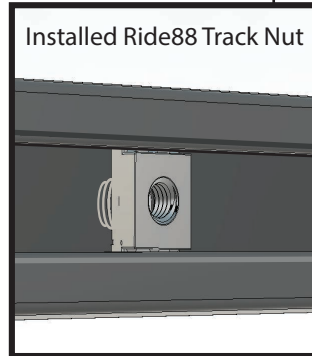
Push deep into track holding nut sideways



Rotate 90 degrees clockwise

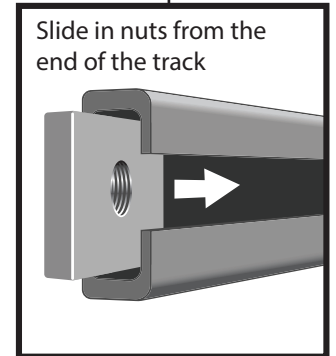


Installed Ride88 Track Nut

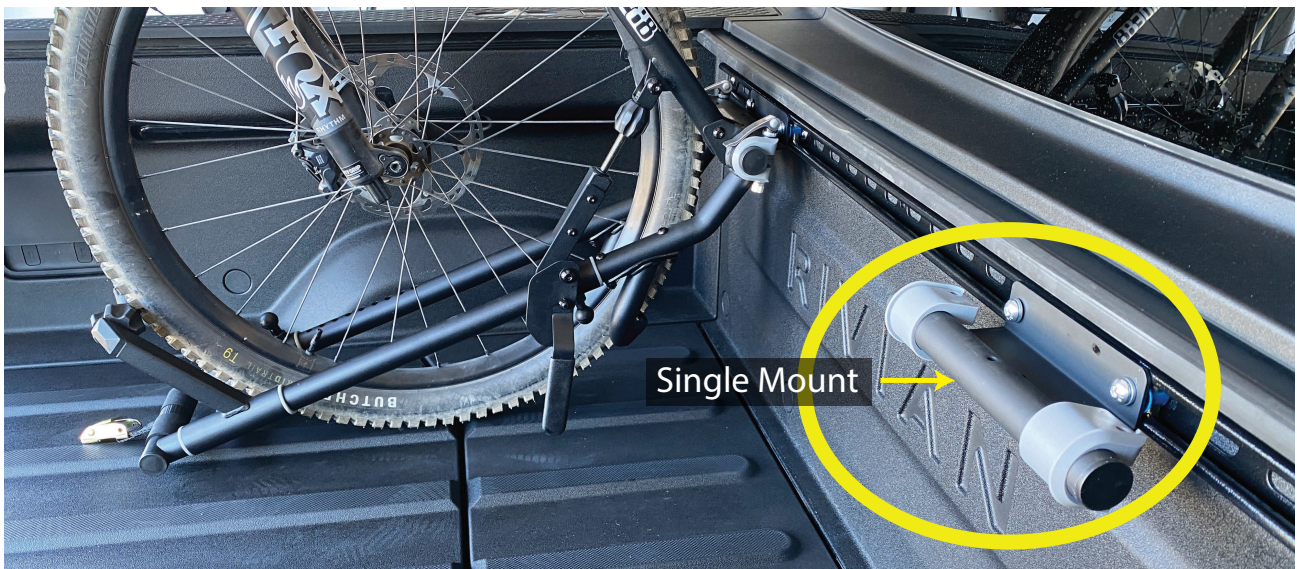


Other Utility Track

Slide in nuts from the end of the track



Install Single Mounts upside down as shown below if you have limited space due to low tonneau covers or other items. This will allow clearance to open and close the cover when racks are folded down. If you do not have height restrictions, mount right side up.



# Single Mount universal drilling installation

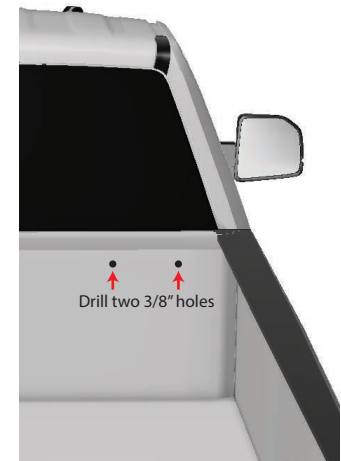
## 1 Measure and mark hole position



## 2 Drill 3/8" holes

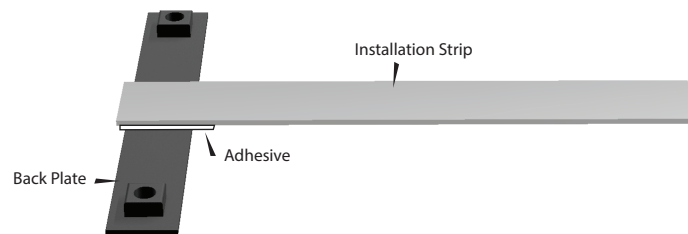


DRILLING REQUIRED.  
We suggest using a  
step drill bit:

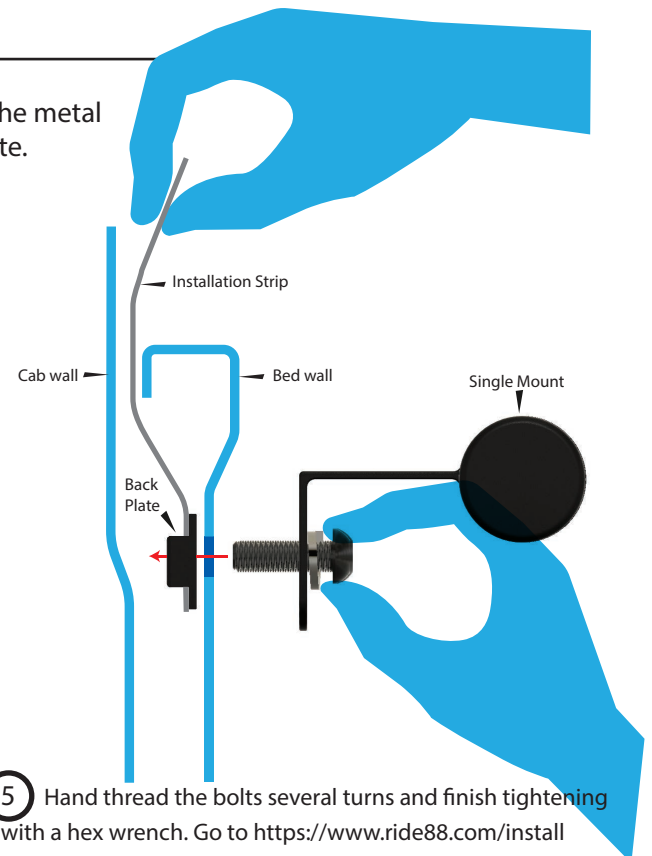
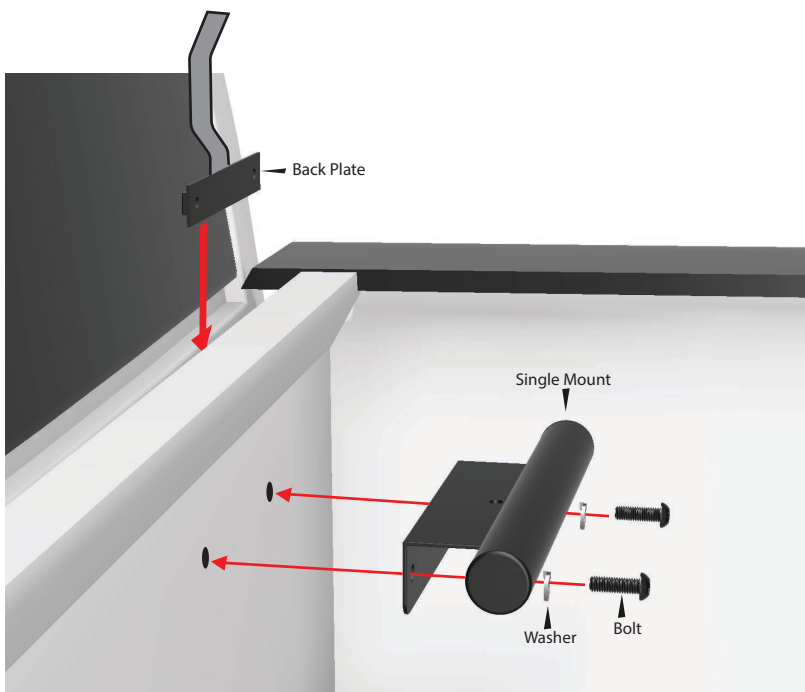


## 3 Attach Installation Stick

Press the adhesive section on the Installation Stick to the back plate as shown here.



## 4 Bend the Installation Stick so it can reach behind the bed wall. The metal strip will function as a temporary handle to position the Back Plate.



## 5 Hand thread the bolts several turns and finish tightening with a hex wrench. Go to <https://www.ride88.com/install> for rack assembly and user instructions.