



# RIDE88

## MINI RAMP

### INCLUDED HARDWARE:

M4 BOLTS



M4 WASHERS



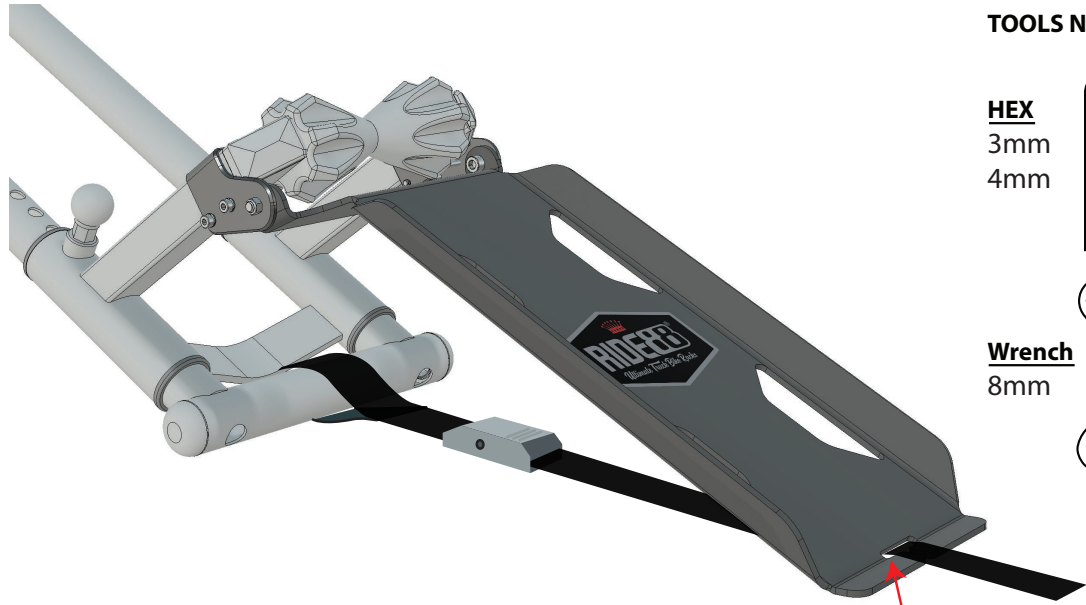
M5 BOLTS



M5 NUTS



PLASTIC WASHERS

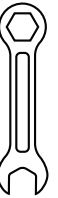


### TOOLS NEEDED:

**HEX**  
3mm  
4mm

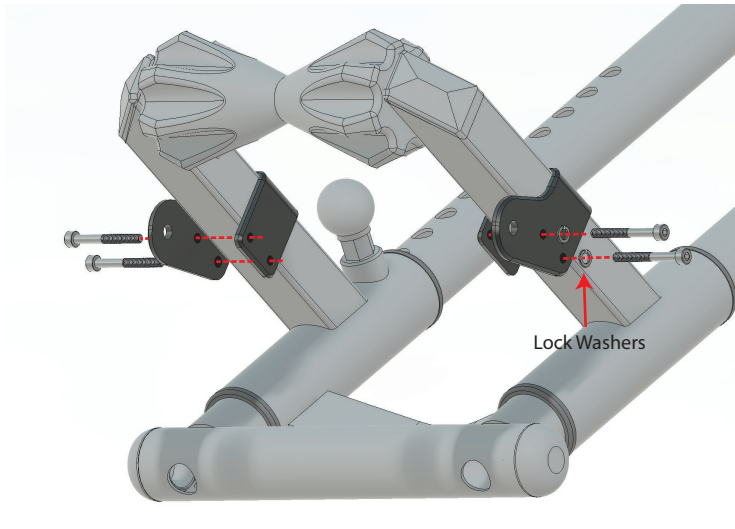


**Wrench**  
8mm

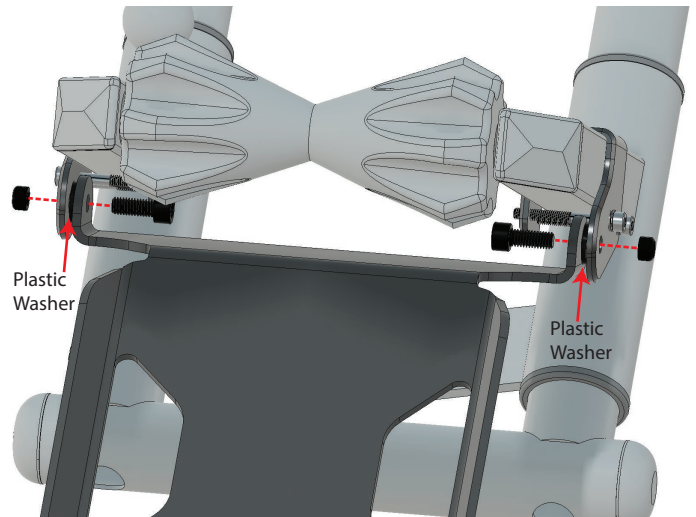


Hole allows strap to pass through

- 1 Install brackets low on the square tubing. Thread in M4 bolts but do not tighten.



- 2 Install ramp with M5 bolts, nuts and plastic washers. Tighten until firm. Ramp should be able to rotate but still have some tension.



- 3 Raise ramp into position. Brackets should be close to the roller but not touching. Tighten all M4 bolts.

