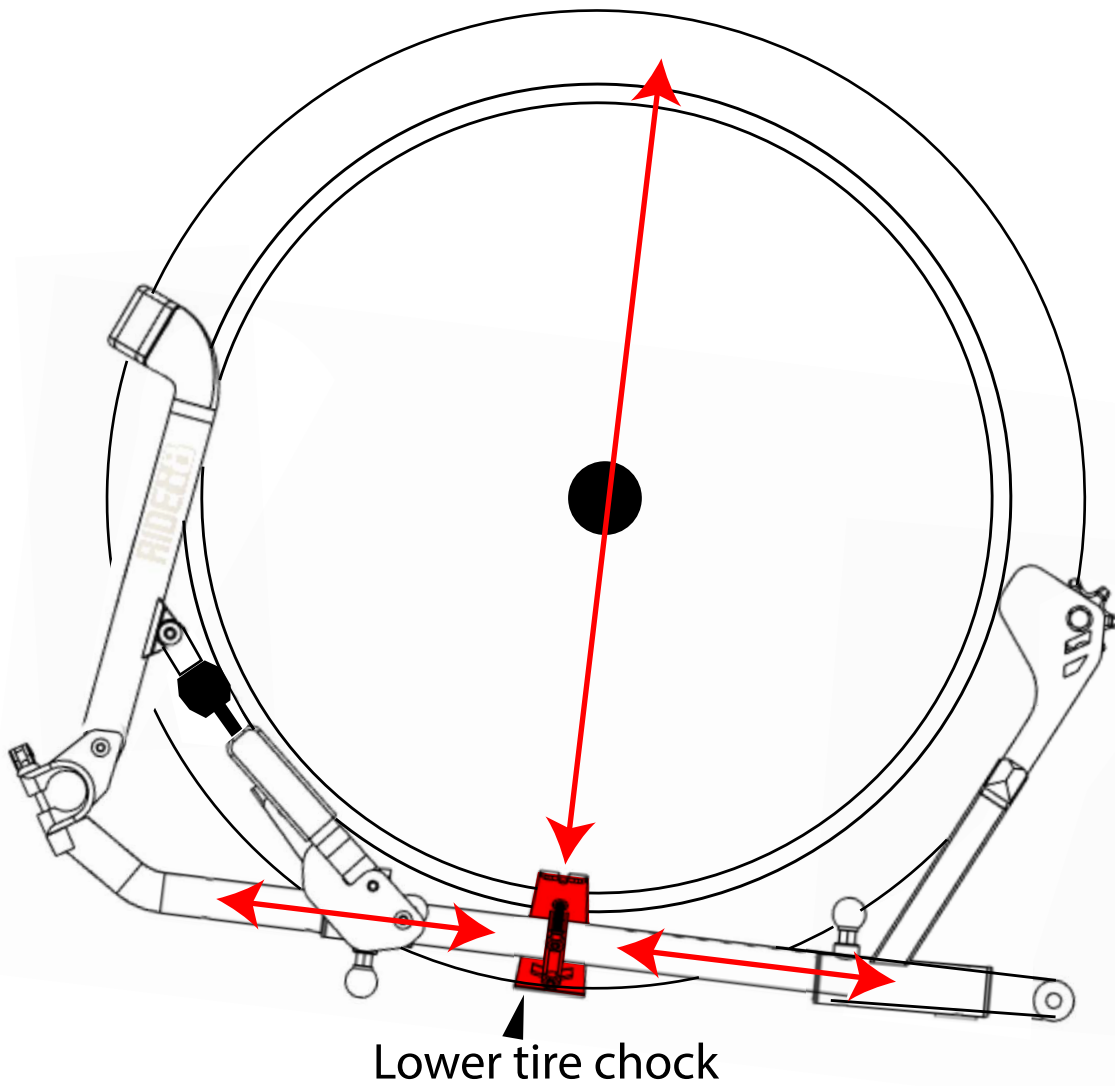




RIDE88 CONVERSION KIT FOR DECK SYSTEMS

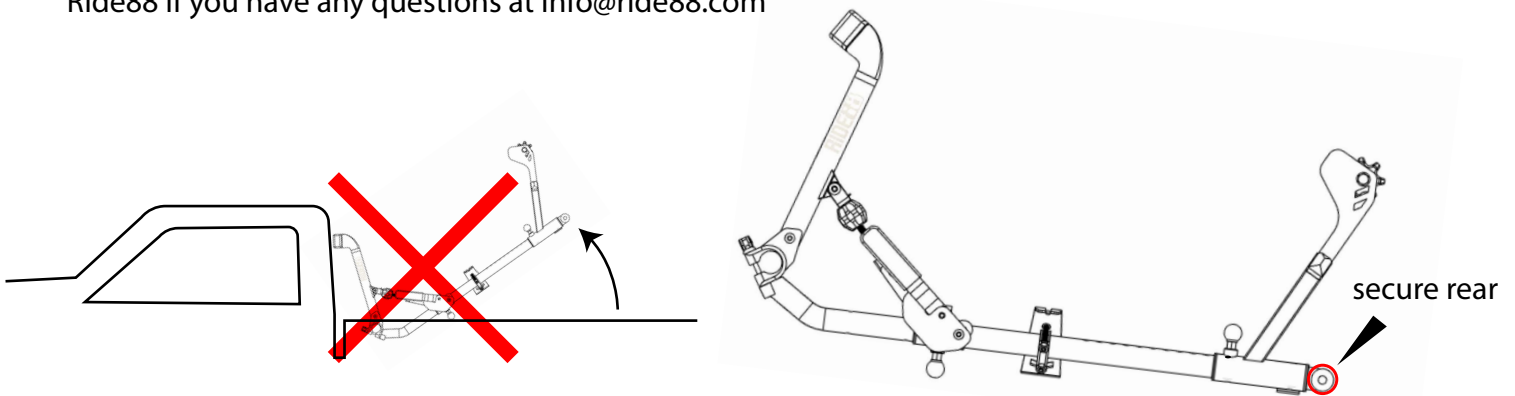
ASSEMBLY GUIDE

Install lower tire chock aligned with the wheel hub



CAUTION

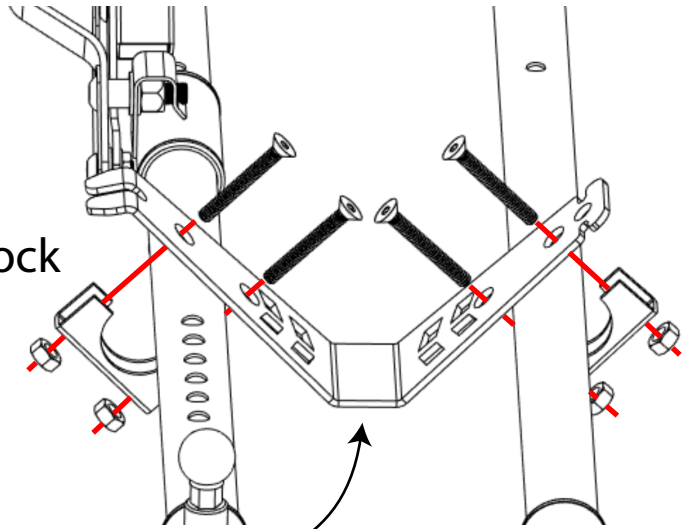
The rear of each bike holder must be secured to the bed to prevent rack rotation toward the cab. The provided strap may be used if there is a sufficient anchor point for the hook. Contact Ride88 if you have any questions at info@ride88.com



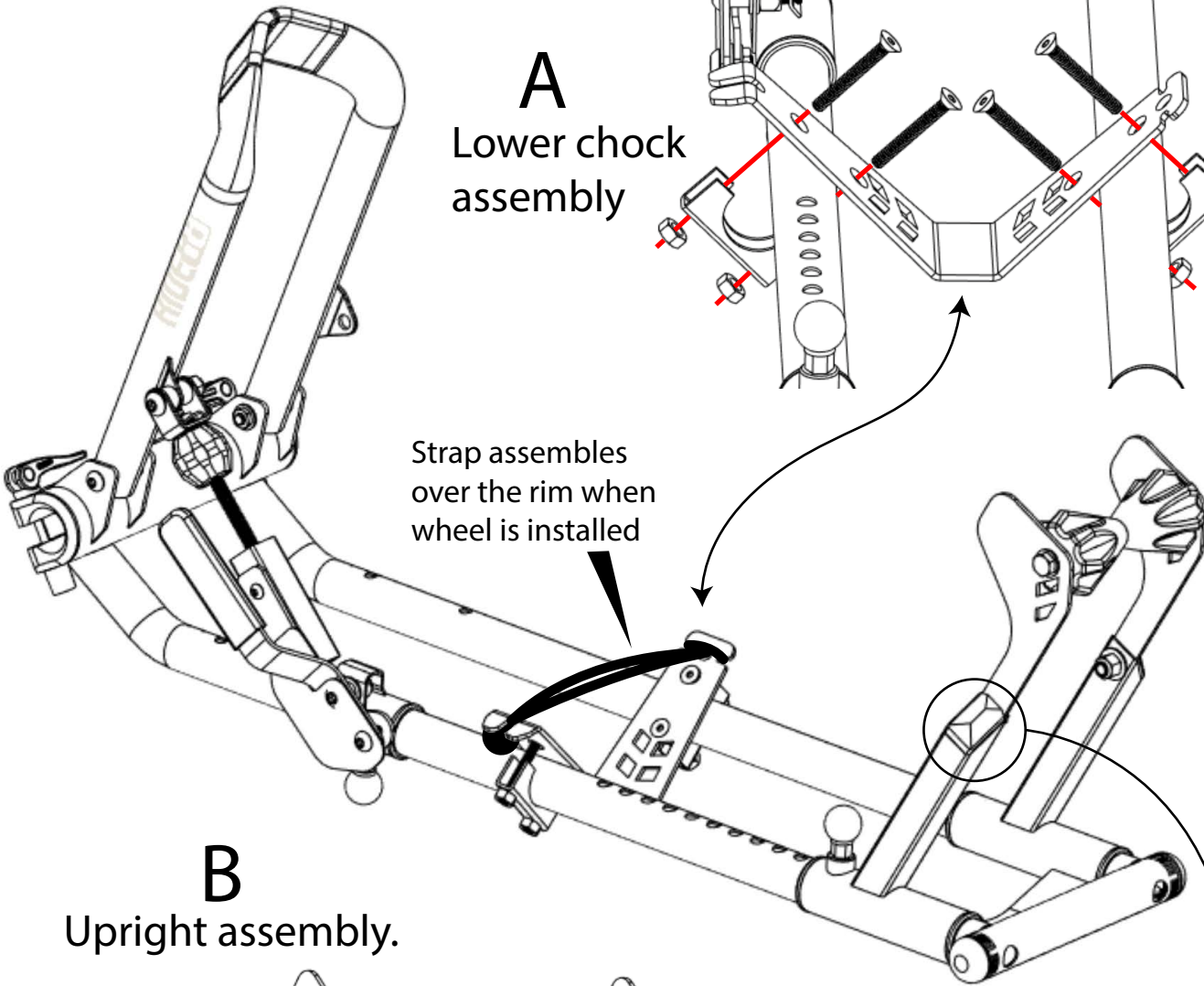
Tie down straps on bikes over 40 lbs recommended

Important note:
Firmly tighten all bolts. Over tightening the lower chock will cause it to bend so be cautious. When it feels tight it's enough.

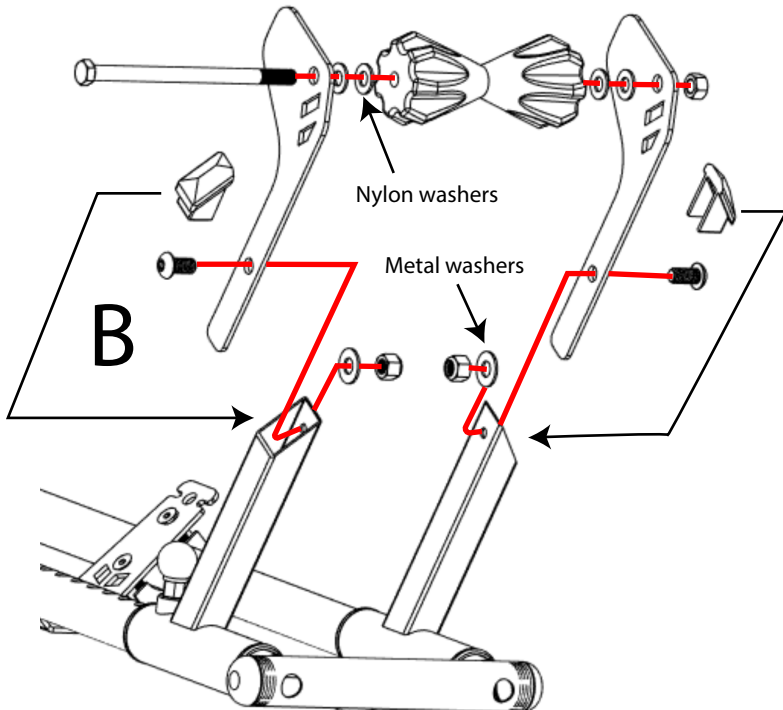
A
Lower chock
assembly



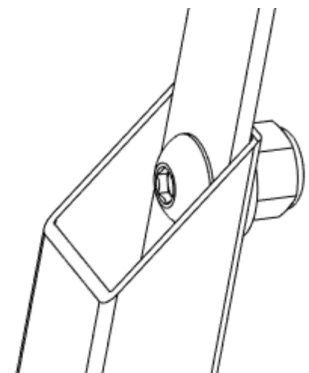
Strap assemblies
over the rim when
wheel is installed



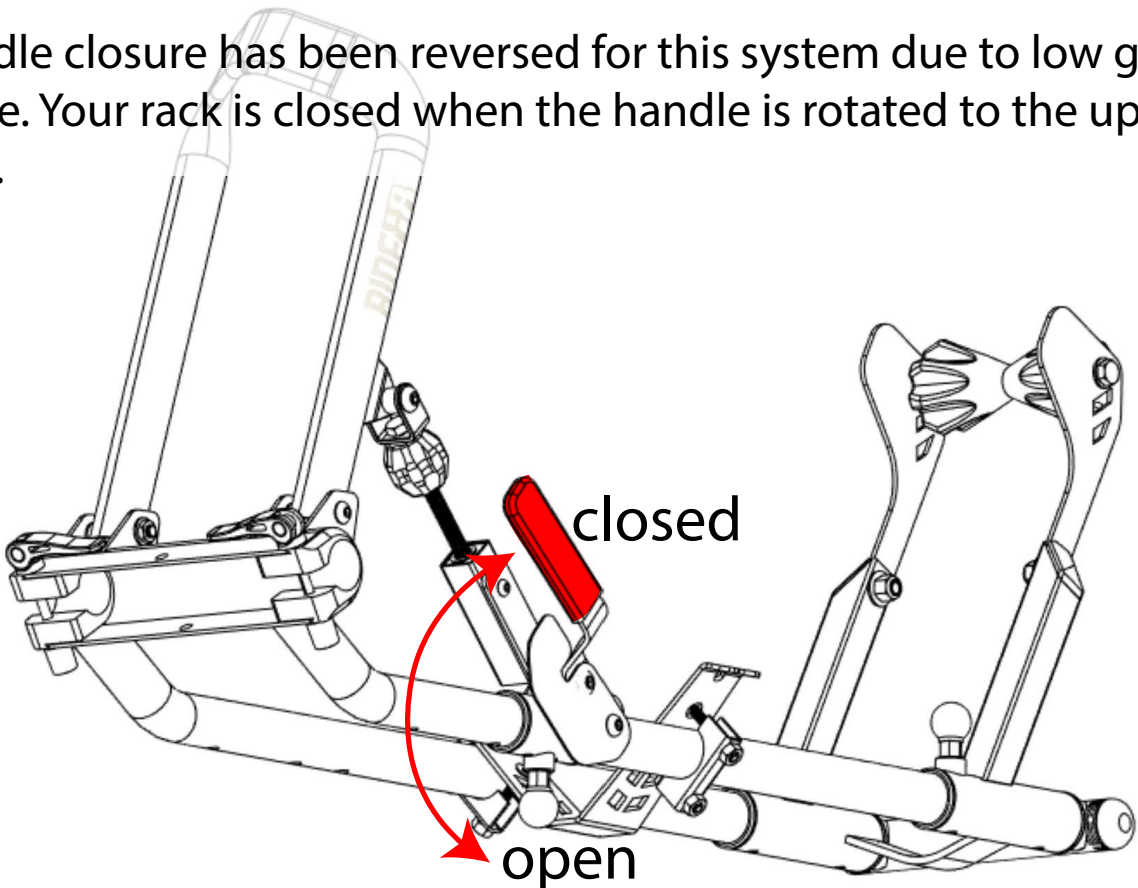
B
Upright assembly.



Assembled upright
shown with cap off.



The handle closure has been reversed for this system due to low ground clearance. Your rack is closed when the handle is rotated to the upward position.



INCLUDED HARDWARE. Actual size:

