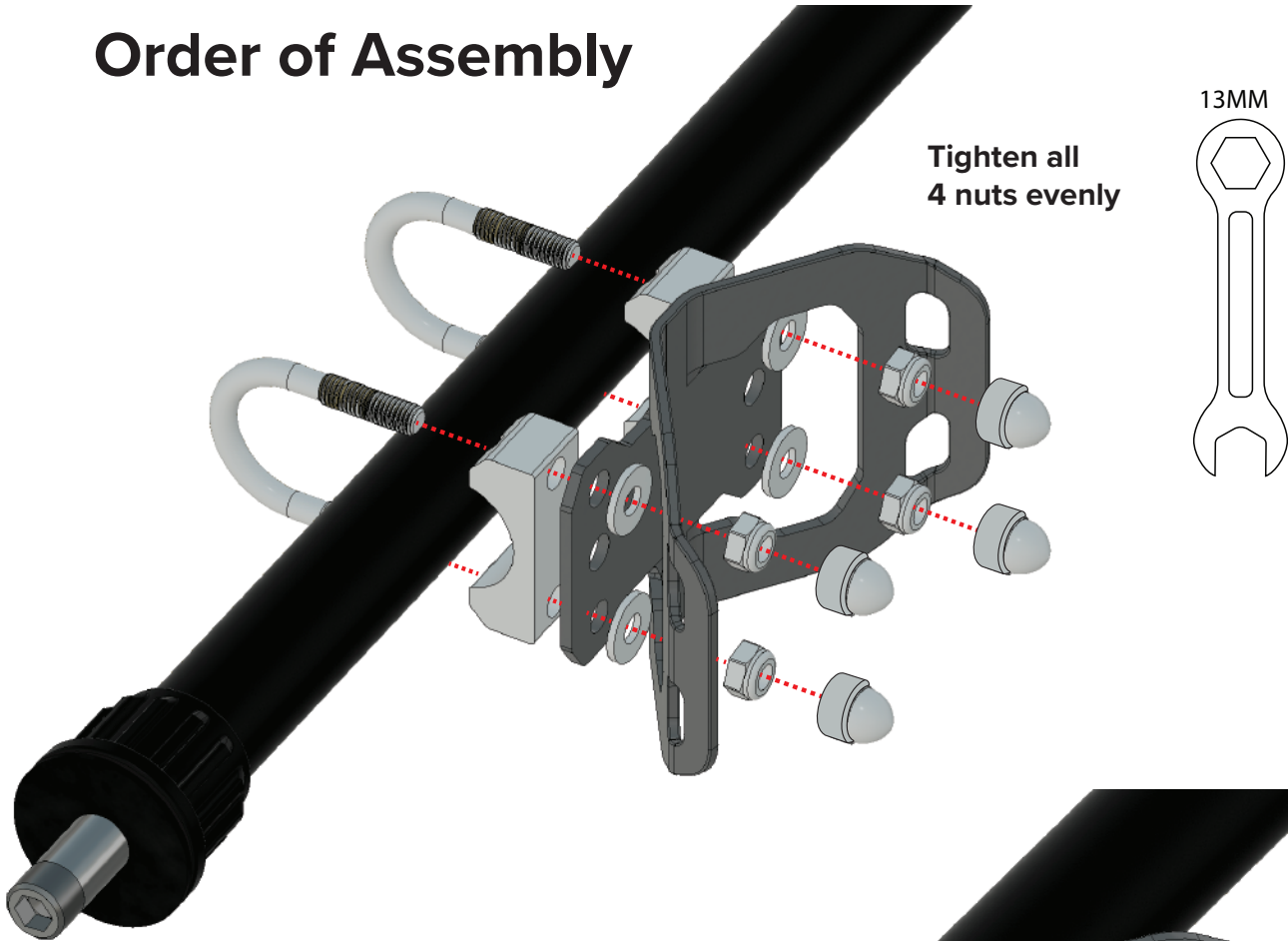


RIDE88 CINCH BIKE RACK INSTALLATION GUIDE

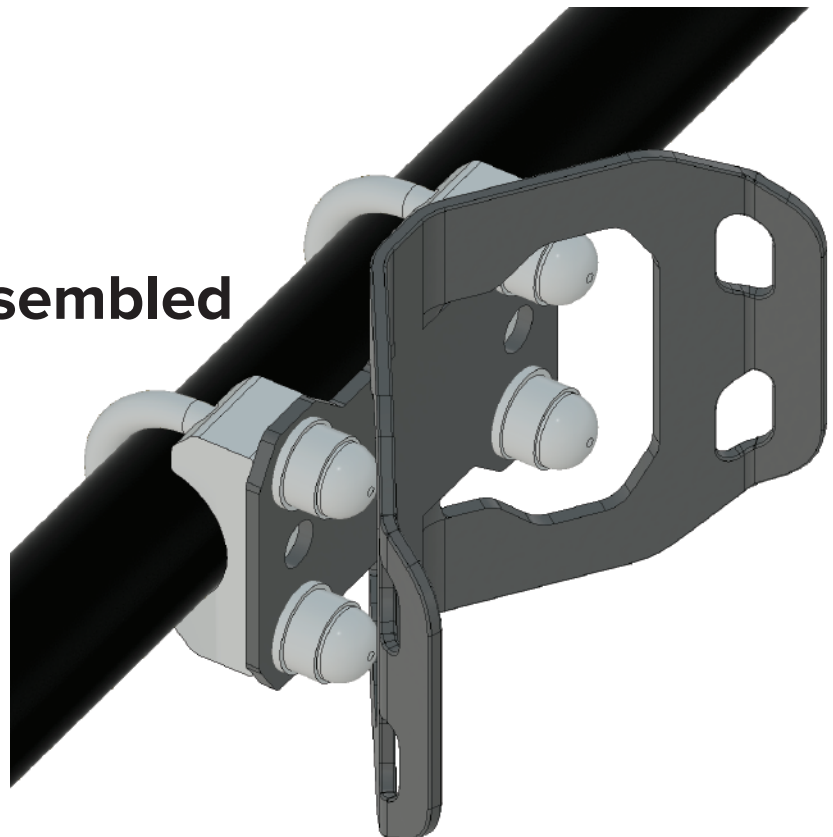


Assemble Wheel Chocks to Cross Bar

Order of Assembly



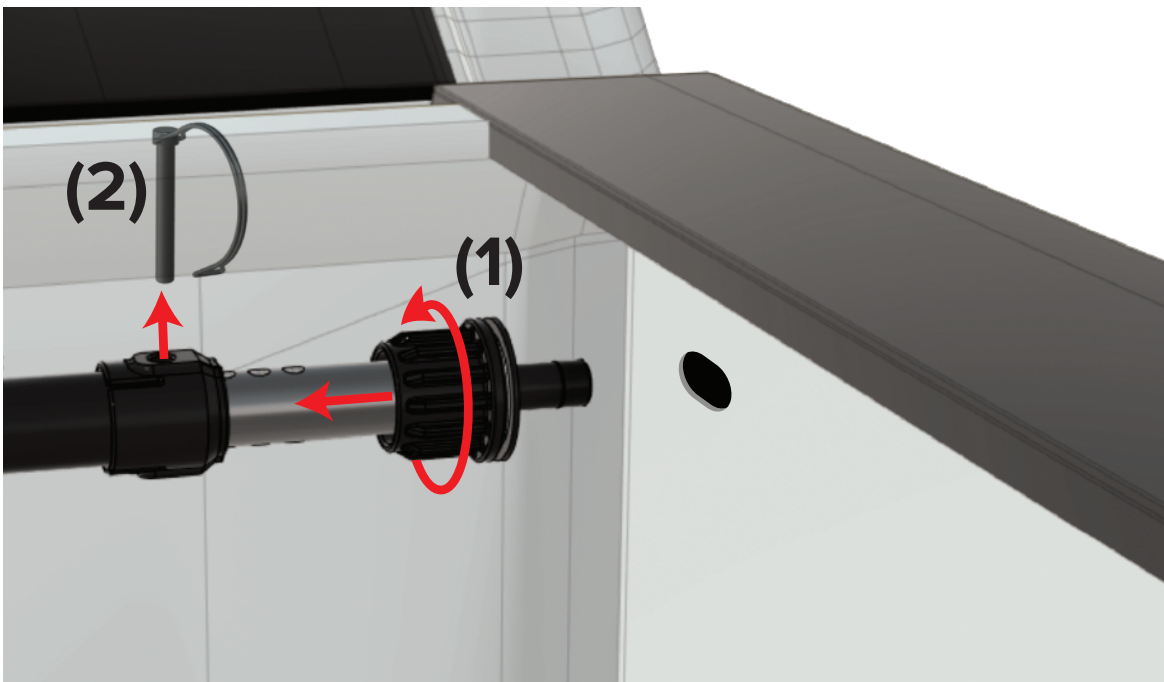
Assembled



Install Cross Bar into the Truck Bed



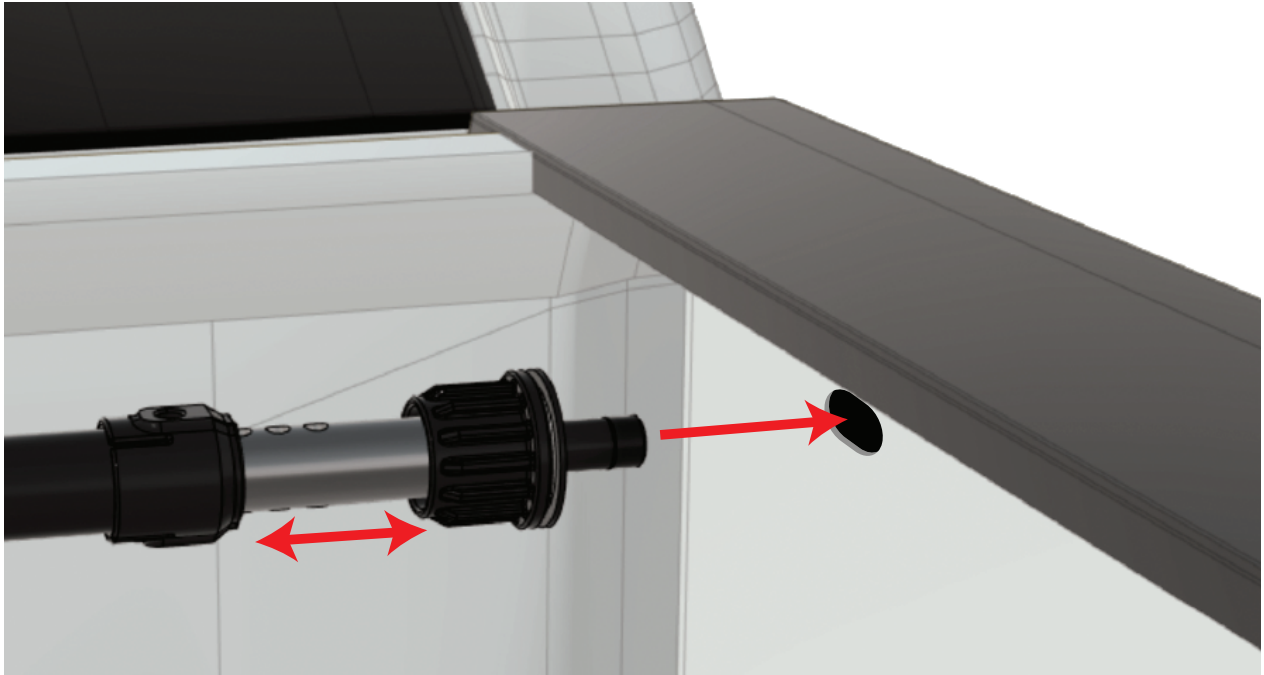
Cross Bar end pins will install through the bed wall. Locate the holes on the bed wall near the cab as shown above. Most trucks have them. If yours does not, You can make your own 11/16" holes or contact RIDE88 for other mounting hardware options.



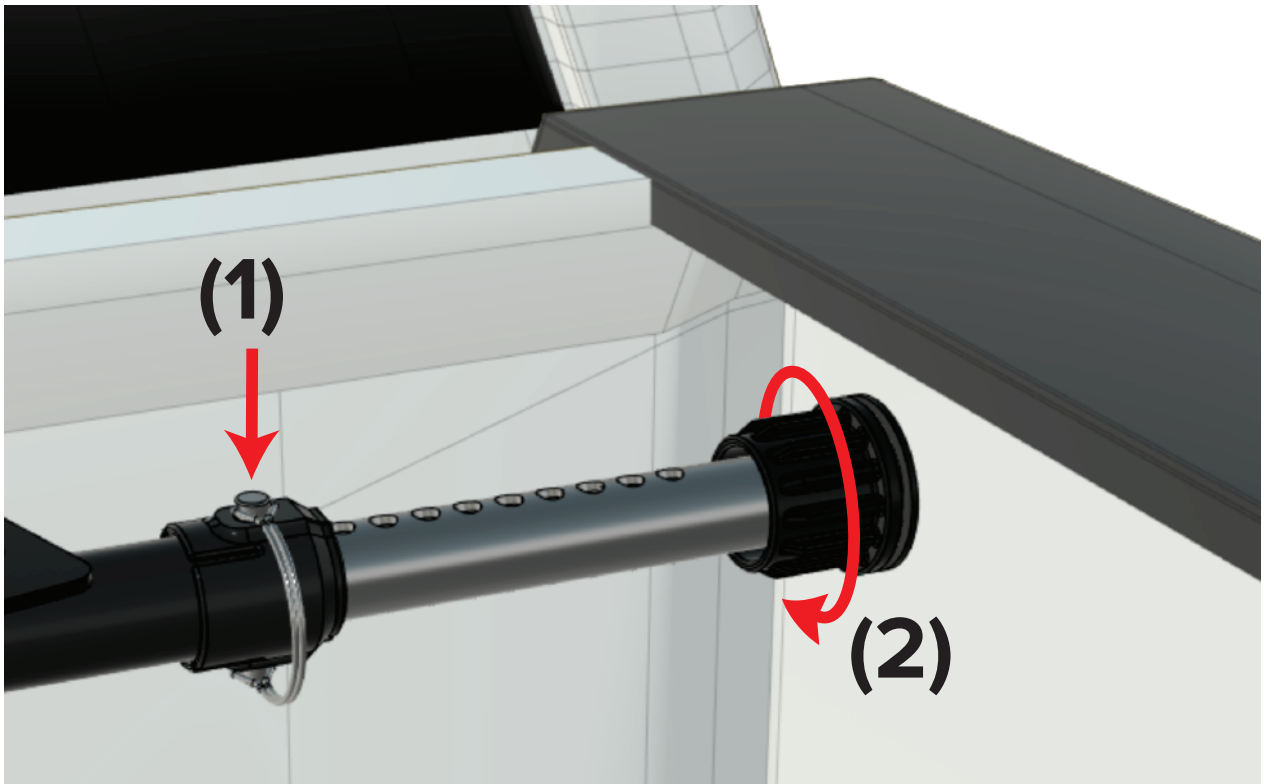
(1) Loosely rotate end cap inward until it stops. Do not tighten.

(2) Remove Safety Pin (PTO PIN).

Repeat (1) and (2) every time you re-install the rack to avoid over extending the end cap in the next steps.



Extend the Cross Bar into the walls until the end pins pass all the way into the holes on both sides. The rubber pads will be flush to both walls.



(1) Keep the telescoping bar at the most extended position possible, Insert the PTO Pin all the way through and close the clasp over the open end of the pin.

(2) Hand rotate the end cap until it expands against the bed wall firmly. Do not use tools or tighten excessively to prevent damage.

Arrange Bikes and Tie down Straps

Below are suggested strap options to give you an idea of how you can arrange bicycles differently. Bicycles will be most stable when straps angle away from the bicycle creating a “V” shape when looking from the top down. Outside straps facing the bed walls should attach to the factory anchors in the truck bed.

2 BIKE STRAP CONFIGURATION



3 BIKE STRAP CONFIGURATION



4 BIKE STRAP CONFIGURATION

