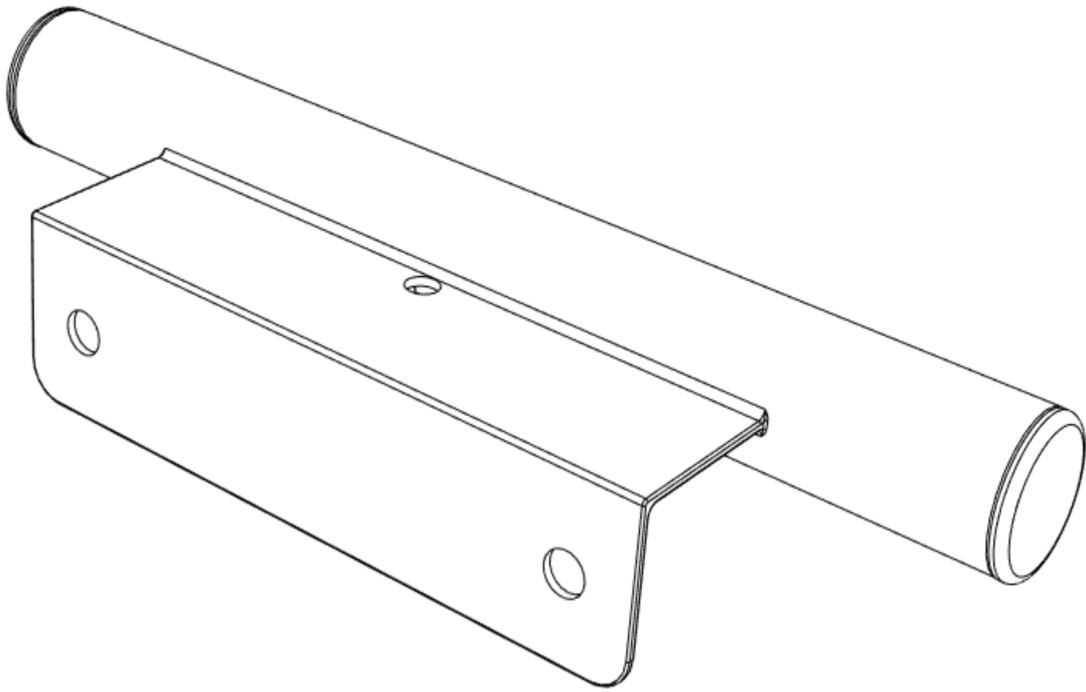
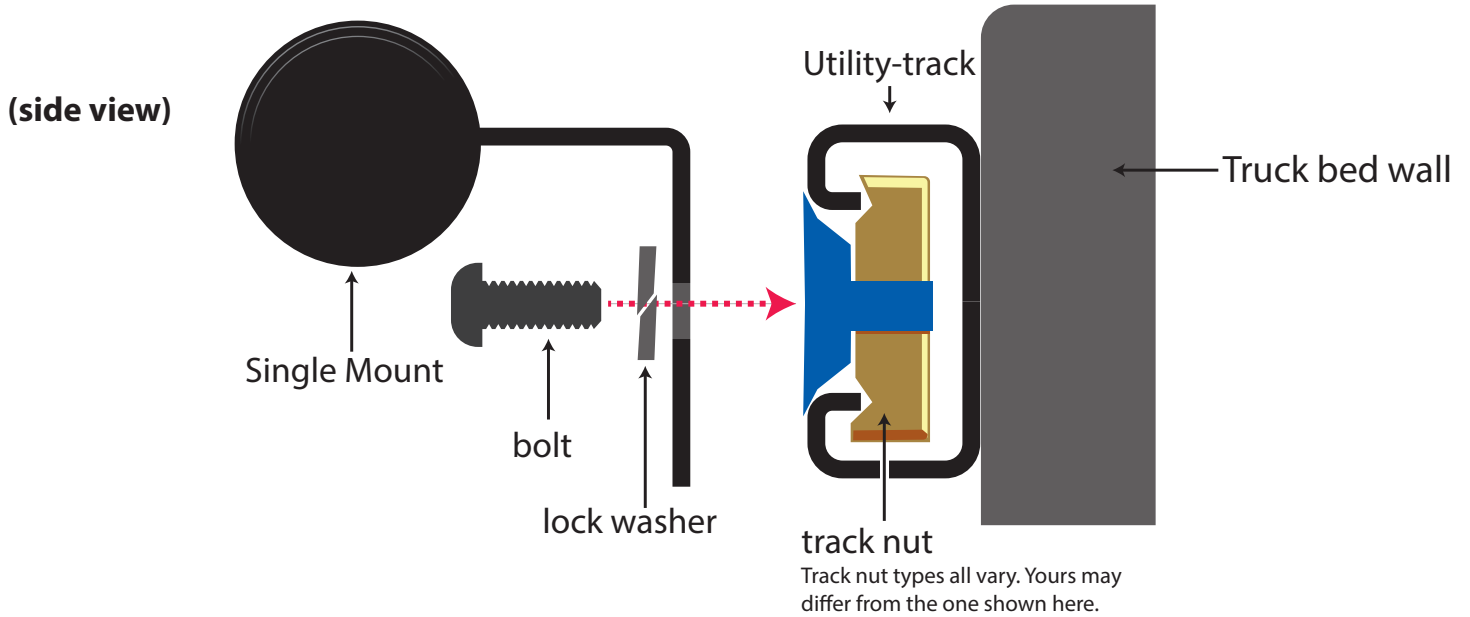


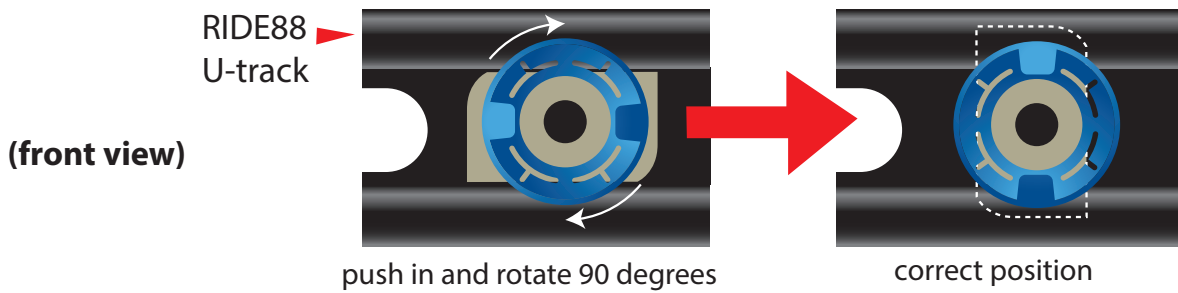
# SINGLE MOUNT OEM and UTILITY TRACK INSTALLATION



## Single Mount order of assembly



## Below applies to RIDE88 Utrack cone-nuts only:



Install Single Mounts upside down as shown below if you have limited space due to some tonneau covers. This will allow clearance to open and close the cover when racks are folded down. If you do not have height restrictions, mount right side up.

