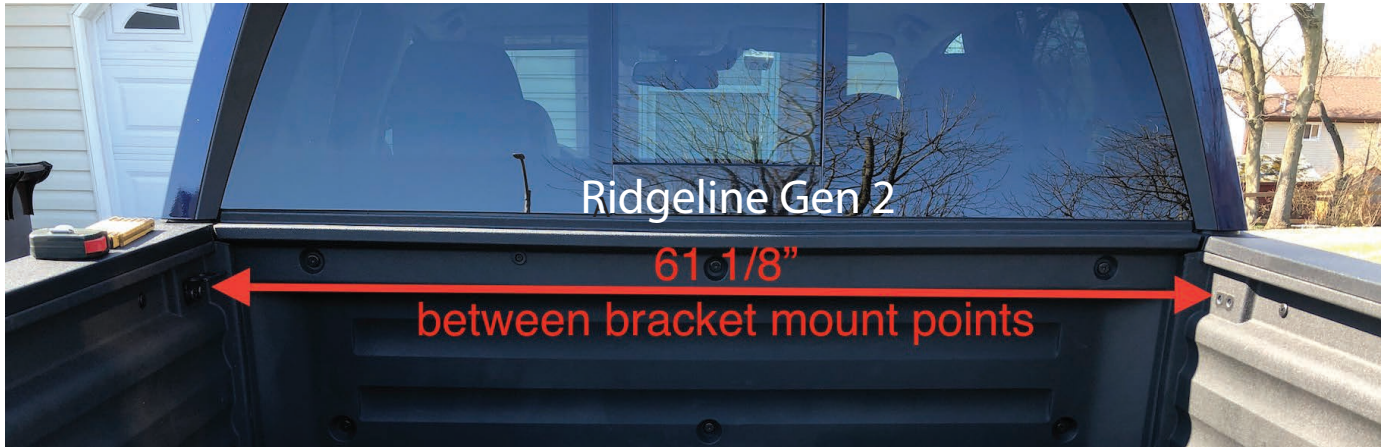


Honda Ridgeline Mounting Kit Specifications

GEN 1 and Gen2 Ridgeline

1. Gen 2 Ridgeline - Verify bed width from wall to wall is 61 1/8". Measurement is taken from the bed wall not the brackets. Gen 1 Ridgeline will be about 56 1/8"



2. Confirm you have 90 degree bend Honda brackets installed

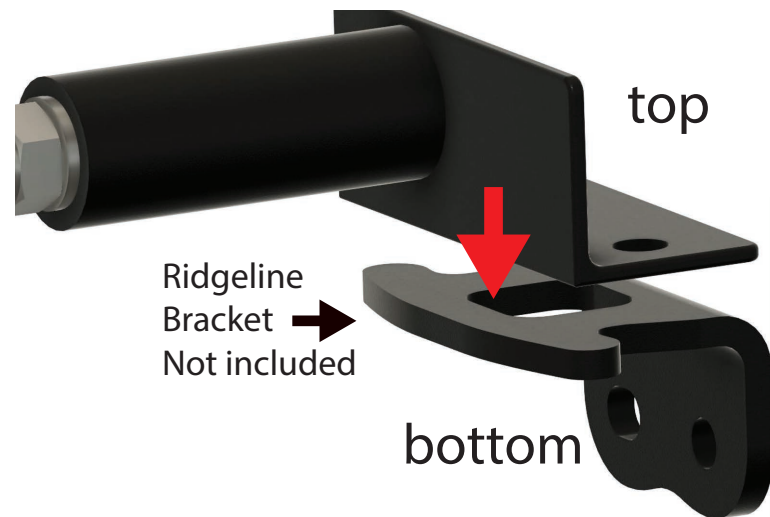


Installation Steps Honda 2nd Gen 2016+

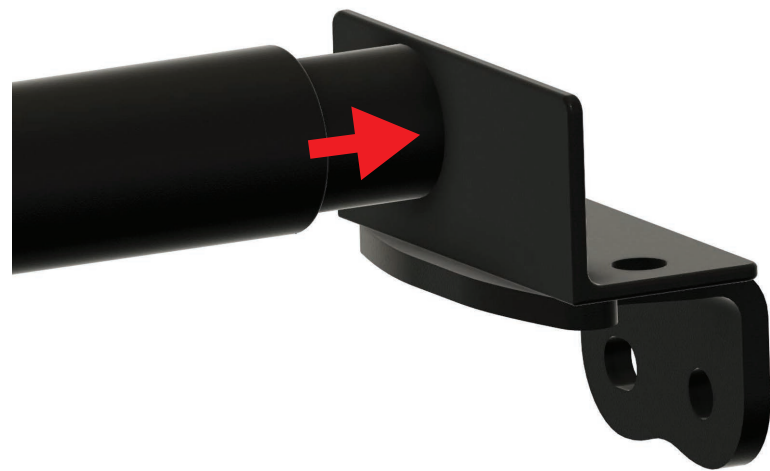
(Ridgeline 2005-2015 1st gen see page 3)

Ridgeline brackets can stay on the truck. No need to remove them.

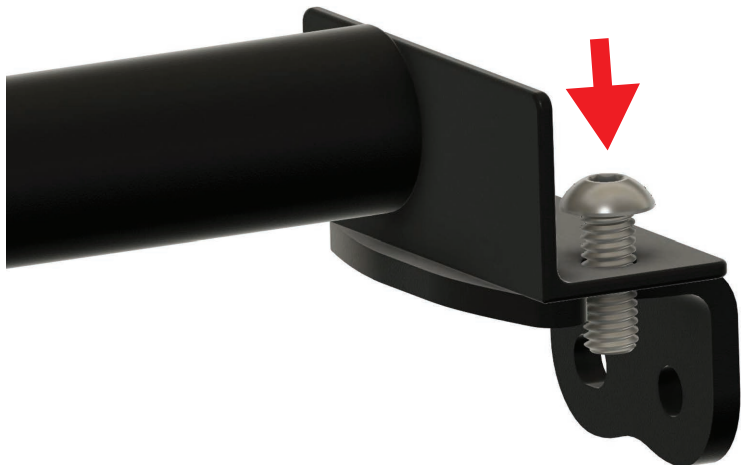
1. Ride88 bracket will connect to your existing 90° Ridgeline bracket.



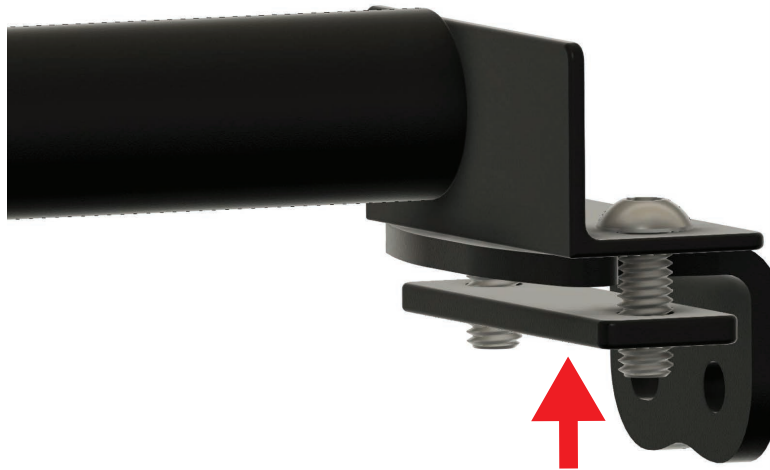
2. Install Crossbar to brackets first.



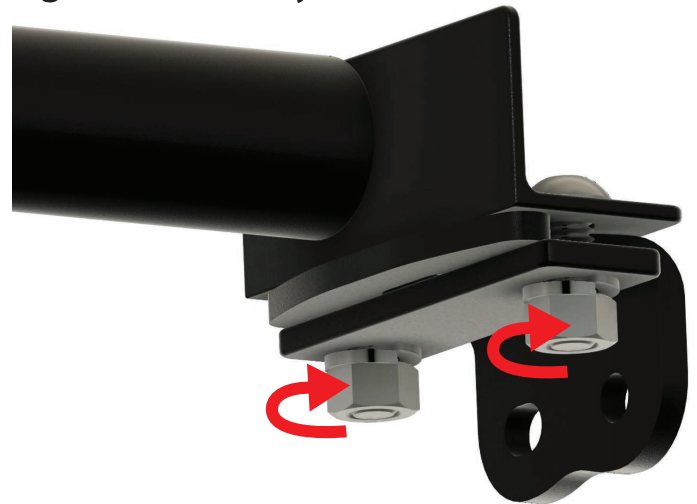
3. Install two 3/8" bolts



4. Install lower retaining bar



5. Install lock washers and nuts and tighten securely





1st gen Honda Ridgeline 2005-2015

